

## 5427 Series

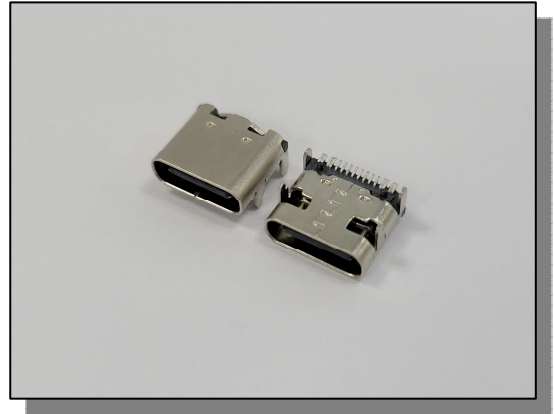
USB Type C R/A Top Mount Single Row  
SMT 16 Pin CL: 1.6mm

### Ordering Information

5427 - X12 - 01X - HX

Halogen Free

Contact Area Plating:  
0: Gold Flash/Tin  
3: 30u"Gold/Tin



### Specification

#### Material:

- ◆ **Insulator:**  
Thermoplastic UL 94V-0  
Color: Black
- ◆ **Contact:** Copper Alloy
- ◆ **Shell:** Stainless Steel

#### Electrical:

- ◆ **Contact Current Rating:**  
VBUS and GND Contacts Rated at 1.25A EA.,  
Paralleled for a Total of 5A
- ◆ **Rated voltage:** 5V Max.
- ◆ **Dielectric Withstanding Voltage:**  
100VAC Min.
- ◆ **Contact Resistance:**  
40mΩ Max. for VBUS, GND and Other Contacts  
50mΩ Max. after Environment Test.
- ◆ **Insulation Resistance:**  
100 MΩ Min.

#### Mechanical:

- ◆ **Insertion Force:** 5~20N
- ◆ **Withdrawal Force:** 8~20N

#### Environmental:

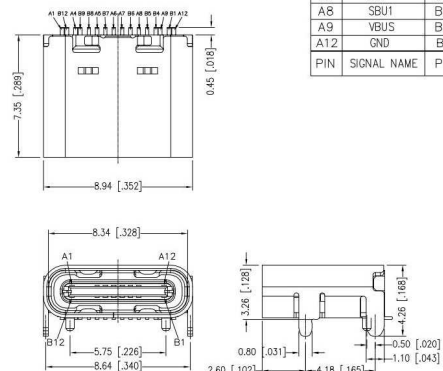
- ◆ **Temperature range:** -55°C to +85°C

❖ The above ordering data is for our standard products. For Non-Standard products, please contact us.

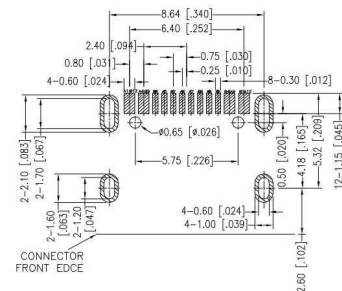
### Drawing

#### 5427-X12-01X-HX Series

A1	GND	B12	GND
A4	VBUS	B9	VBUS
A5	CC1	B8	SBU2
A6	DP1	B7	DN2
A7	DM1	B6	DP2
A8	SBU1	B5	CC2
A9	VBUS	B4	VBUS
A12	GND	B1	GND
PIN	SIGNAL NAME	PIN	SIGNAL NAME



#### RECOMMENDED P.C.B. LAYOUT



\* ALL DIMENSIONS ARE SHOWN IN mm/in